

Version	2.0	Date	8/9/18
Prepared By	JC		

PRODUCT SPECIFICATION

Category	Floodlight
Item Number	7761
Stock Code	LED-FXFDL10/50K/BK
Mounting	Yoke Mount
Housing Color	Black



ELECTRICAL CHARACTERISTICS			
Rated Wattage (W)	10	Replacement Wattage (W)	100
Tested Wattage (W)	10.4		
Input Voltage (V)	120-277V	Surge Protect Level	1KV
Voltage Frequency (Hz)	50/60	Dimmable	-
Input Current (A)	0.1	AUX (12V) Line	-
Power Factor	>0.9		
THD	<20%		

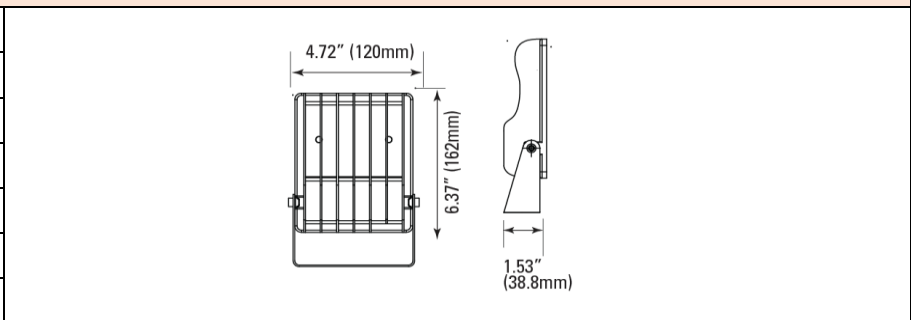
PHOTOMETRIC CHARACTERISTICS			
Lumen (lm)	1,284	CCT (K)	5000K
Efficacy (lm/w)	123	Beam Angle (°)	Flood
CRI	>80		

GENERAL CHARACTERISTICS	
Operating Temperature (°F)	-22°F ~ 131°F
Storage Temperature (°F)	-40°F ~ 140°F
IP Rating	IP65
Rated Life (Hrs)	50,000
Warranty (Yrs)	5

ACCESSORIES		
Item #	Stock Code	Description

PRODUCT DIMENSIONS

Width- in / (mm)	4.72" 120
Height- in / (mm)	6.37" 162
Depth- in / (mm)	1.53" 38.8
EPA (ft²)	-
Weight (lbs)	1.1
Mounting Height (ft)	-
Cable Length (ft)	-



CERTIFICATIONS			
UL/ETL	ETL	CEC	
NSF/ETL Sanitation		JA8	
Energy Star		FCC	✓
DLC		RoHs	✓

DOCUMENTS			
LM79	✓	IES File	✓
LM80	✓	Dimmer List	

COMMENTS

--